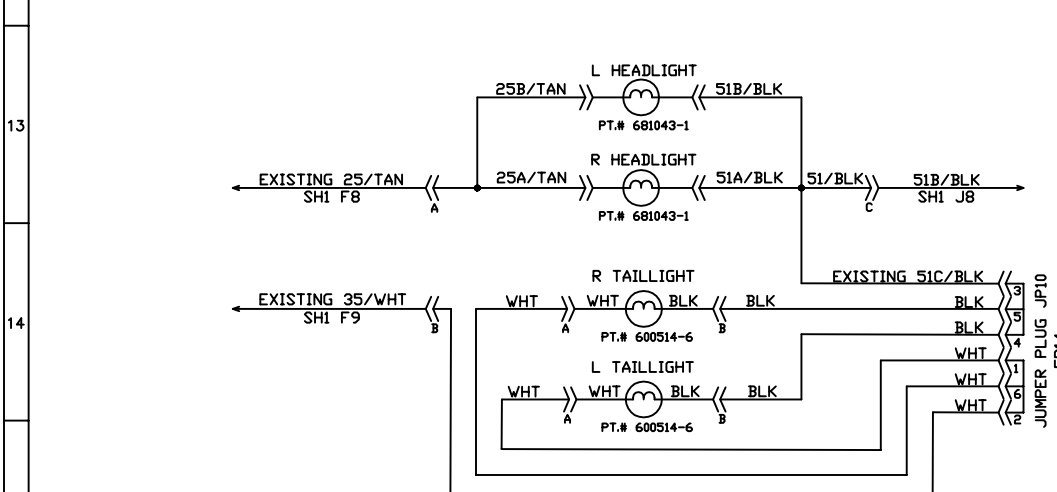
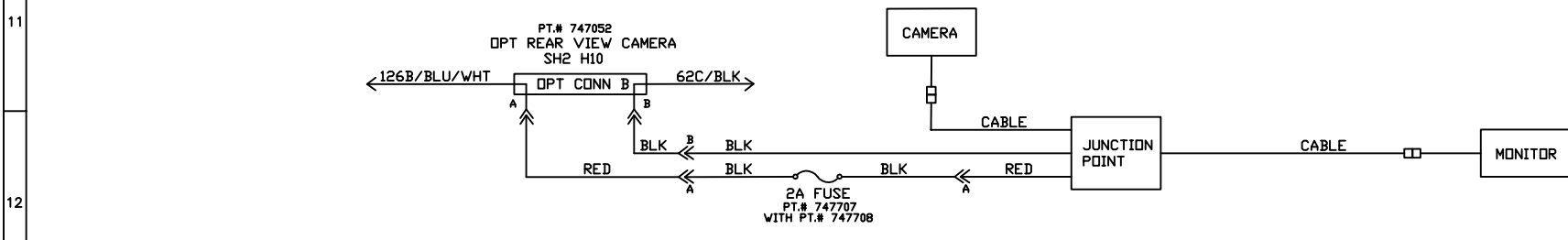
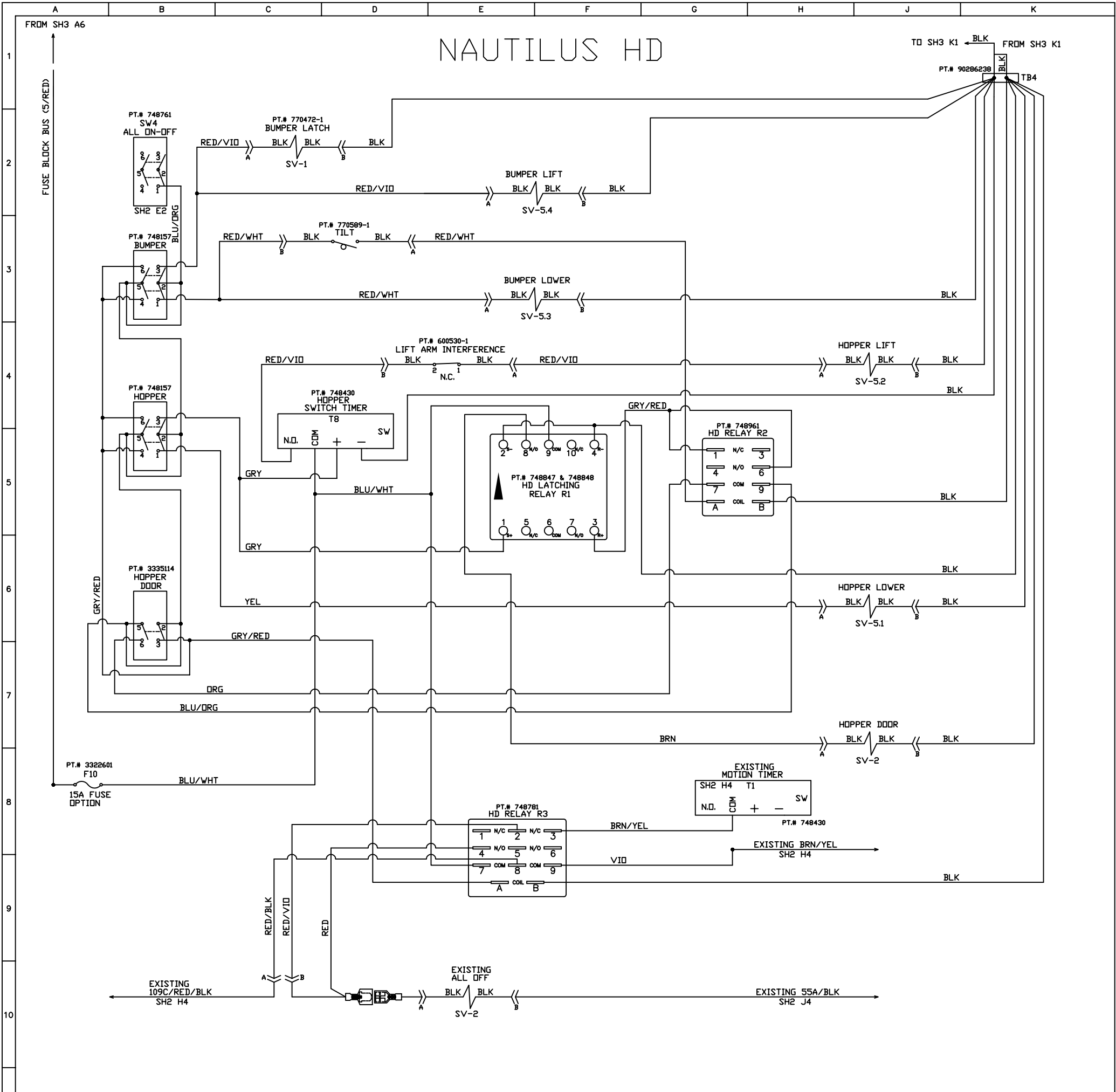


# NAUTILUS HD



**CONFIDENTIAL**

THIS DRAWING AND ALL INFORMATION CONTAINED HEREIN ARE THE EXCLUSIVE PROPERTY OF MINUTEMAN INTERNATIONAL, INC. THIS DRAWING IS NOT TO BE COPIED OR OTHERWISE REPRODUCED WITHOUT EXPRESSED WRITTEN PERMISSION OF MINUTEMAN INTERNATIONAL, INC. IN ADDITION, THIS DRAWING MUST BE RETURNED UPON REQUEST. FURTHER, ALL INFORMATION CONTAINED HEREIN MUST BE MAINTAINED CONFIDENTIAL.

TITLE		NAUTILUS PT. TO PT. DIAGRAM		SCALE		NTS	
MATERIAL		N/A		FINISH		N/A	
TOLERANCES (UNLESS OTHERWISE SPECIFIED)				REMOVE BURRS AND BREAK SHARP EDGES .005/.020			
0-1" ± 1/16		.000 ± .005		SIZE		DRAWN BY MB	
>1-12" ± 1/4"		.00 ± .010		B		CHECKED BY JWP	
<12" ± 1/2"		ANGLES ± 30'				DATE 12/20/13	
REV		E.C.N.		DATE		CHANGE	
J		150447		10/18/18		ADDED JP7 GND JUMPER PLUG & BRAKE LTS	
H		MIN-13575		10/02/17		ADD BLUE LIGHTS & REAR VIEW CAMERA	
G		MIN-13523		07/28/17		ADD DRY SWEEP OPT & UPDATE LATCH RELAY	
F		MIN-13367		11/11/16		ADD MTR PMP OPTION, ADD SHEET 5	
BY		CHK		BY		BY	

14N845 U.S. ROUTE 20  
 PINGREE GROVE, IL 60140  
**P.N. 748992**  
 SHEET 4 OF 5

16	J	150447	10/18/18	ADDED JP7 GND JUMPER PLUG & BRAKE LTS	KHH	KHH
	H	MIN-13575	10/02/17	ADD BLUE LIGHTS & REAR VIEW CAMERA	KHH	JWP
	G	MIN-13523	07/28/17	ADD DRY SWEEP OPT & UPDATE LATCH RELAY	KHH	JWP
	F	MIN-13367	11/11/16	ADD MTR PMP OPTION, ADD SHEET 5	KHH	JWP
	REV	E.C.N.	DATE	CHANGE	BY	CHK BY